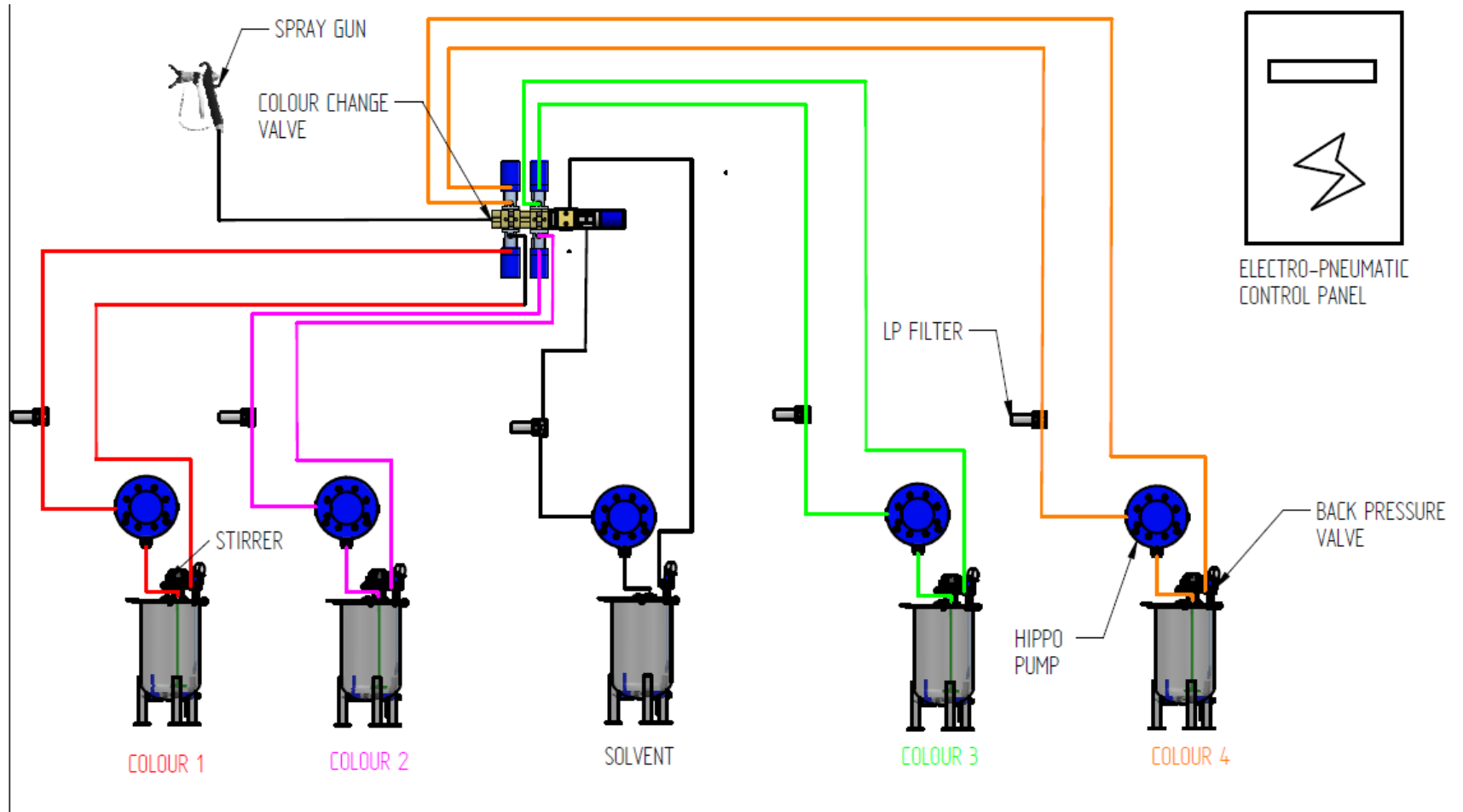


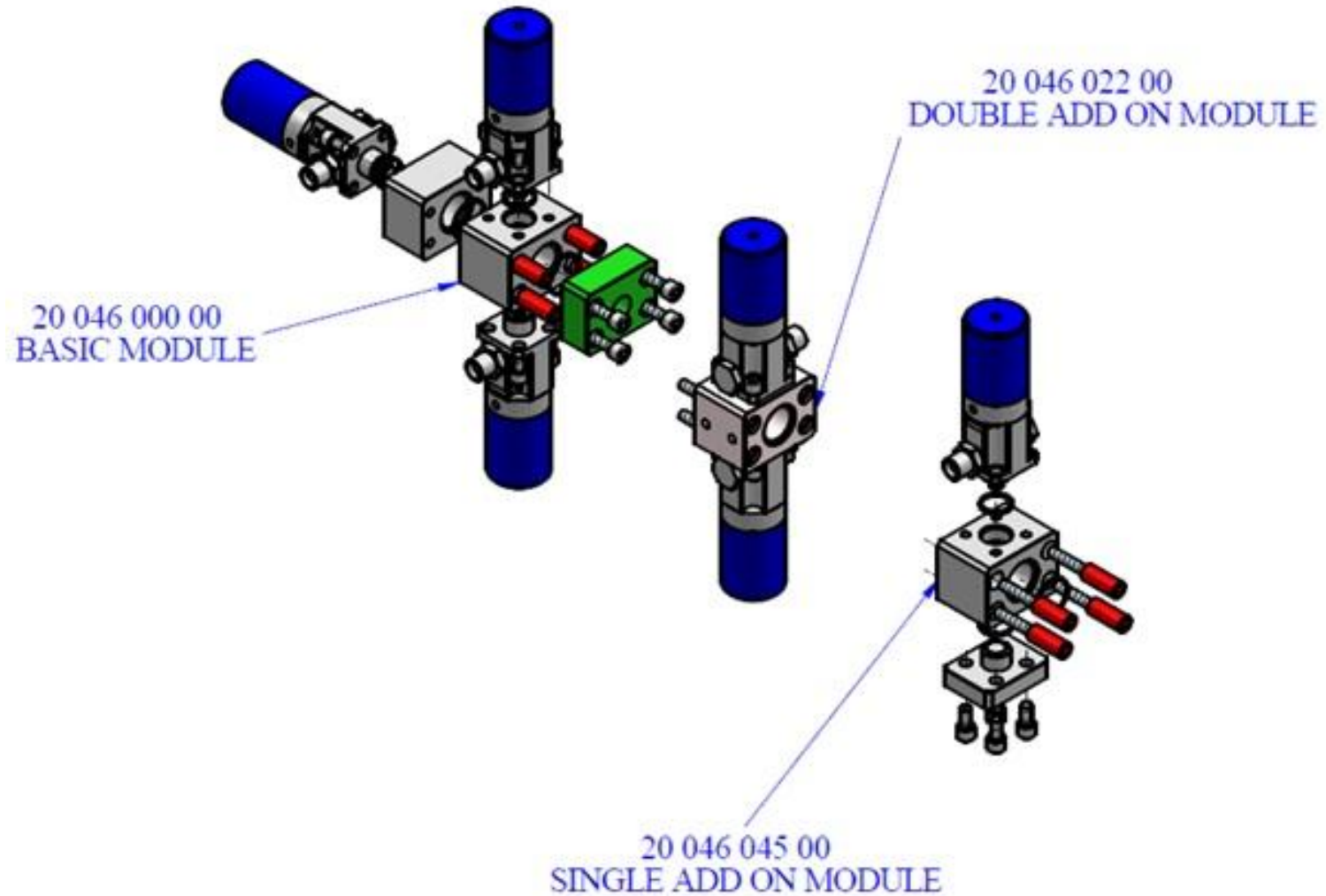
COLOUR CHANGE SYSTEM

- ▶ **STAINLESS STEEL**
- ▶ **WATER BASED OR SOLVENT BASED**
- ▶ **LOW PRESSURE COLOUR CHANGE SYSTEM – CONVENTIONAL OR HVLP**
- ▶ **MAXIMUM WORKING PRESSURE 20 BAR**
- ▶ **LIGHT WEIGHT & COMPACT DESIGN**
- ▶ **100% MODULAR – FLEXIBLE SOLUTION**

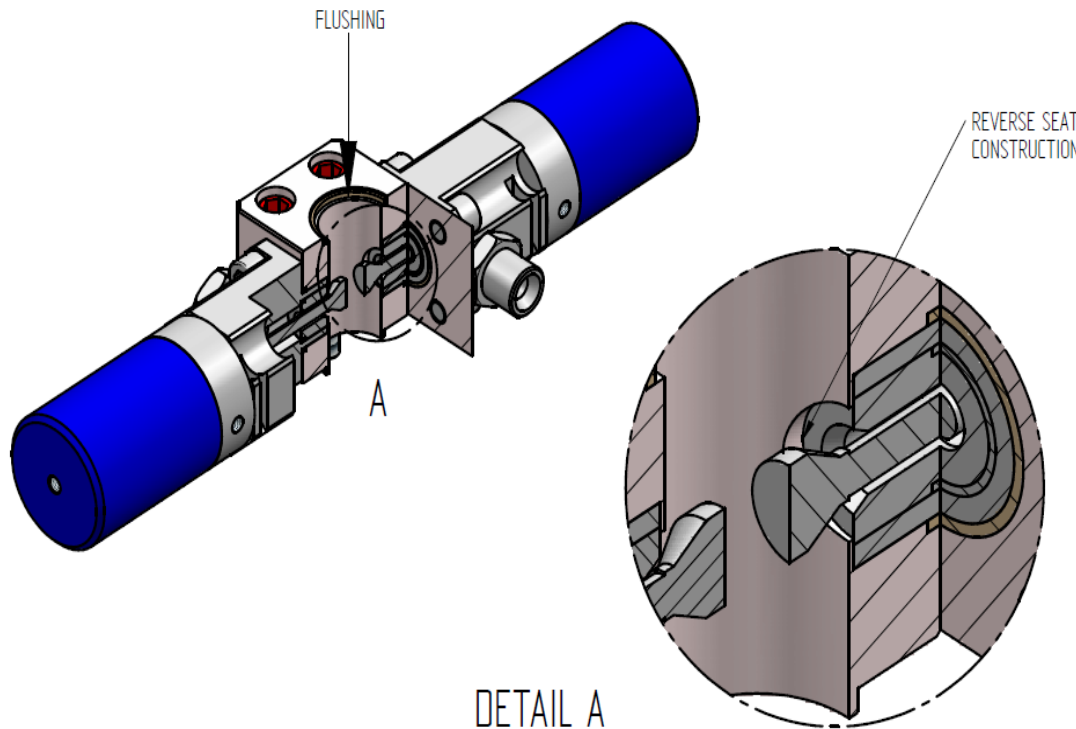
TYPICAL INSTALLATION



MODULAR MANIFOLD DESIGN



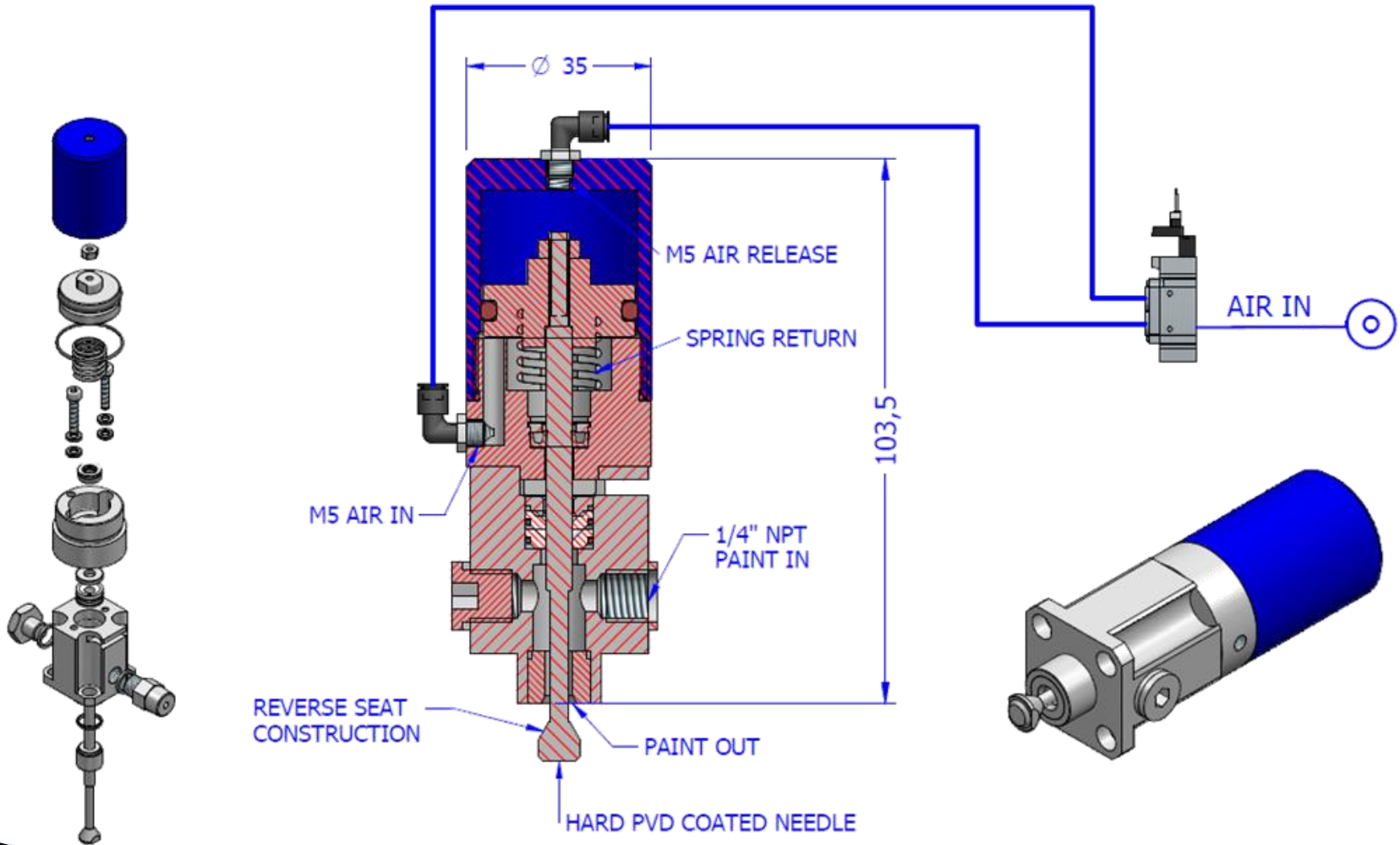
VALVE FEATURES



FAST & EFFECTIVE COLOUR CHANGE AND FLUSHING

- Valve seat opens directly into the fluid passage
- No possibility of leakages due to positive pressure against reverse seat.
- Spring operated needle closure

VALVE OPERATION



SPECIFICATION

- ▶ Basic Module Part No. :20 046 000 00
- ▶ Two Valve Add On Module Part No. :20 046 022 00
- ▶ Single Valve Add On Module Part No. :20 046 045 00
- ▶ Suitable for colour change application in conventional and HVLP spray systems.
- ▶ Basic module consists of three valves, two for colour and one for solvent valve .
- ▶ Add on modules consists of one or two colour valves.
- ▶ No restriction on number of colours
- ▶ PLC based electro – pneumatic control system or complete pneumatic control system can be additionally supplied on requirement.

Fluid passage	Equivalent to 4mm hole (12.56 mm ²)
Modular design	Simple to add or remove colours at a later date
Versatile	Suitable for water based materials, compact design, easy to maintain and service, fast & efficient valve action.
Maximum working pressure	20 Bar
Inlet & circulation ports	1 / 8” BSP(F)
Wetted parts	304 stainless steel, PTFE & Delrin